

THIS DRAWING IS UNPUBLISHED.

RELEASED FOR PUBLICATION

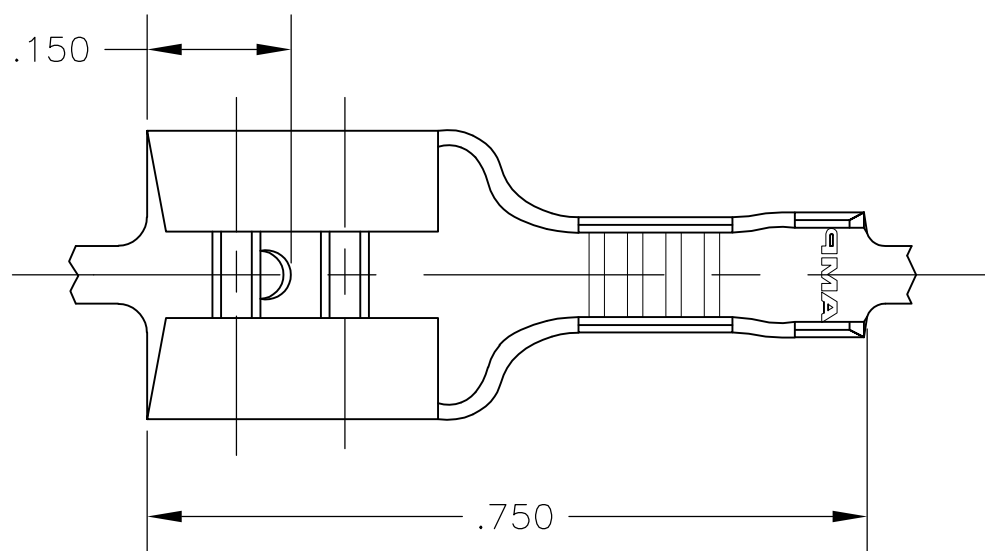
ALL RIGHTS RESERVED.

© COPYRIGHT - By -

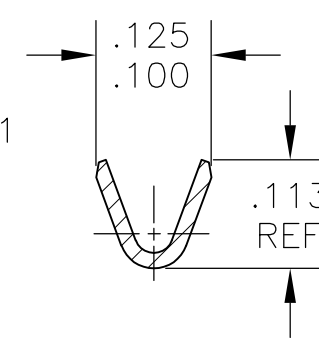
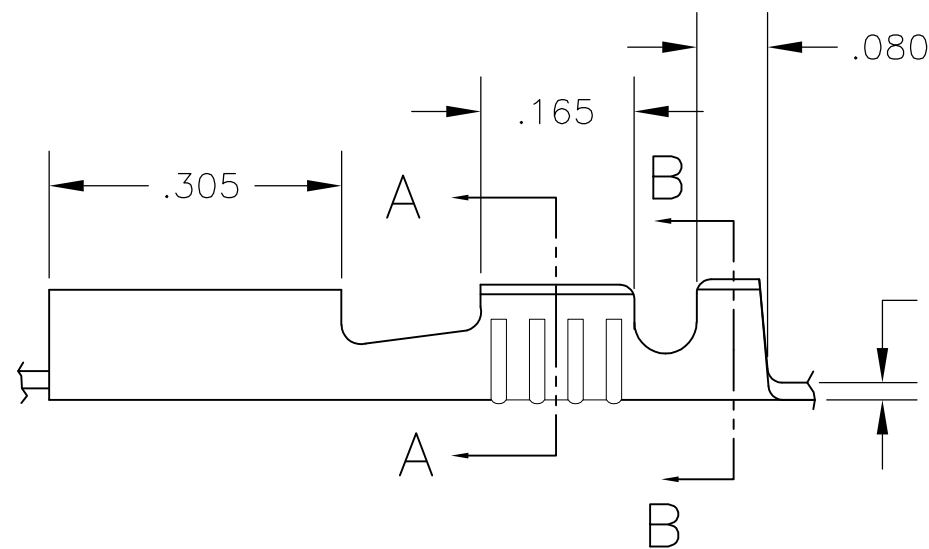
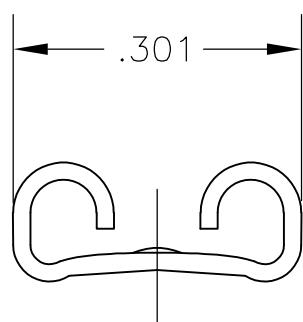
LOC: AF DIST: 50

REVISIONS

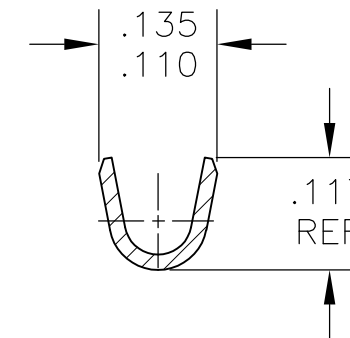
| P | LTR | DESCRIPTION               | DATE    | DWN | APVD |
|---|-----|---------------------------|---------|-----|------|
|   | H   | REVISED PER ECR-12-013445 | 09NOV12 | KH  | PD   |



- 1 CONTINUOUS STRIP ON REELS
- 2 WIRE SIZE IS 22-18 AWG
- 3 INSULATION RANGE IS .060-.100 DIA
- 4 FEED IS  $.840 \pm .005$
- 5 MATING TAB THK IS  $.032 \pm .001$



SECTION A-A



SECTION B-B

|        |         |
|--------|---------|
| TIN    | 42640-2 |
| -      | 42640-1 |
| FINISH | PART NO |

|  |  |                          |                        |  |  |                                       |                  |                     |
|--|--|--------------------------|------------------------|--|--|---------------------------------------|------------------|---------------------|
| THIS DRAWING IS A CONTROLLED DOCUMENT.   |  | DWN: jr_ruth 13JAN2004   | <b>TE Connectivity</b> |  |  |                                       |                  |                     |
| DIMENSIONS: INCHES   |  | CHK: P_DESANTIS 13JAN04  |                        |  |  | NAME: RECEPTACLE, FASTON, .250 SERIES |                  |                     |
| TOLERANCES UNLESS OTHERWISE SPECIFIED:   |  | APVD: P_DESANTIS 13JAN04 |                        |  |  |                                       |                  |                     |
| 0 PLC ± -<br>1 PLC ± -<br>2 PLC ± -<br>3 PLC ± .015<br>4 PLC ± -<br>ANGLES ± - |  | PRODUCT SPEC: -          |                        |  |  | SIZE: A3                              | CAGE CODE: 00779 | DRAWING NO: C-42640 |
| MATERIAL: BRASS  |  | FINISH: SEE TABLE        | CUSTOMER DRAWING       |  |  | SCALE: 5:1                            | SHEET: 1 OF 1    | REV: H              |